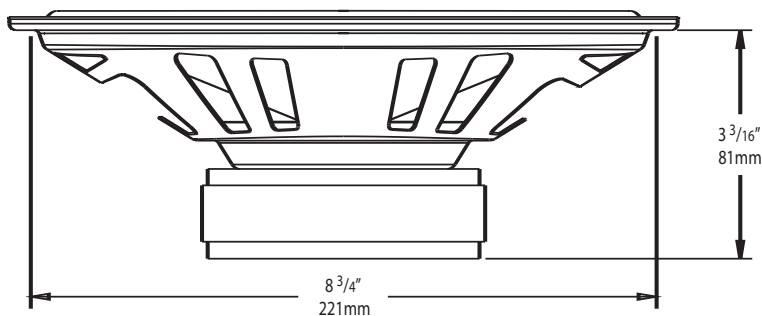
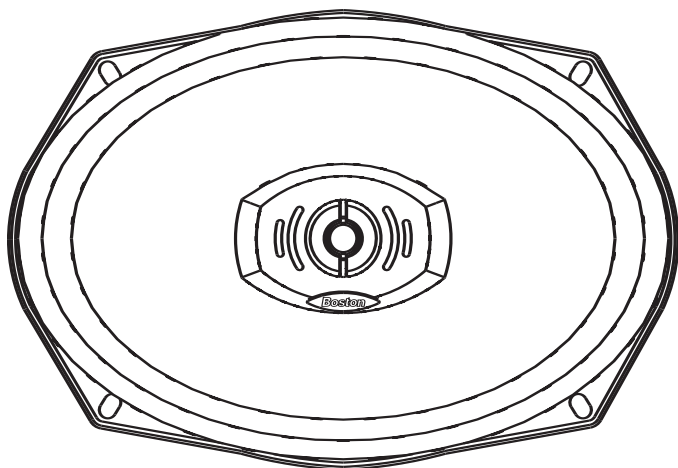


Boston

S95 Speakers Include:

- 2 x 1/2-Inch Spacer
- 8 x Hex Head Screw
- 8 x Spring Clip
- 1 x Hex Key
- 8 x 2 1/2-Inch Screws
- 8 x Hex Nut
- 8 x 1/2-Inch Washer
- 2 x Terminated Speaker Wire
- 4 x 16/18 AWG. Connector Barrel
- 2 x Woofer Gasket

S95 6 x 9-inch Coaxial Speakers

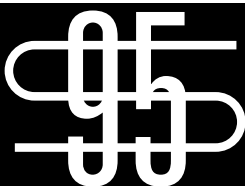
**Specifications:**

	S95
Nominal Size	6 x 9"
RMS Power Handling	35w
Peak Power Handling	120w
Frequency Response (± 3 dB)	50-20kHz
Impedance	4 Ω
Sensitivity (1w/1M)	92dB

Boston Acoustics, Inc. 300 Jubilee Drive Peabody, Massachusetts 01960 U.S.A. bostonacoustics.com

© 2005 Boston Acoustics, Inc. All rights reserved. Boston, Boston Acoustics, and the Boston Acoustics logo are registered trademarks of Boston Acoustics, Inc.

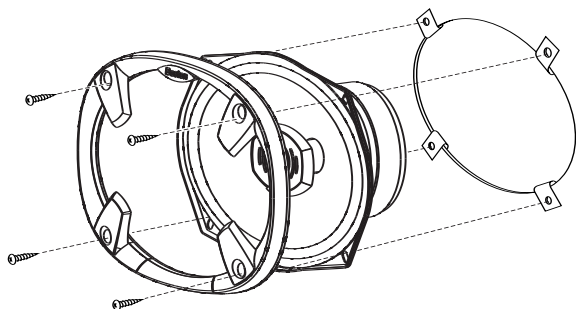
042-002326-1



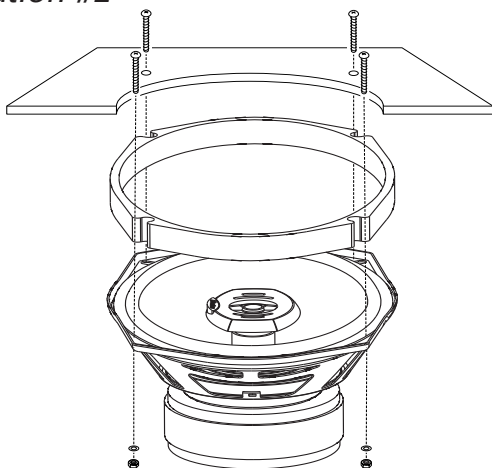
Boston

S95 6 x 9-inch Coaxial Speakers

Installation #1



Installation #2



Wiring



- +
Negative Positive

