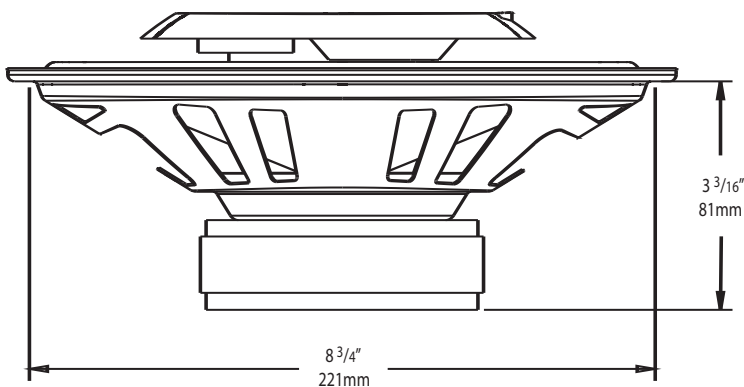
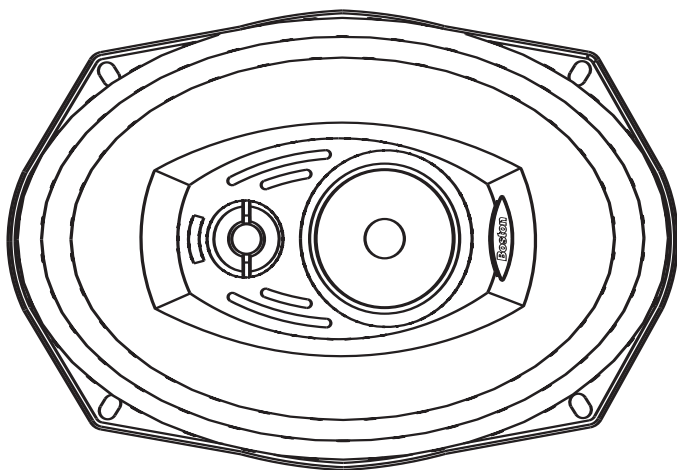


# Boston

**S95<sup>3</sup> Speakers Include:**

- 2 x 1/2-Inch Spacer
- 8 x Hex Head Screw
- 8 x Spring Clip
- 1 x Hex Key
- 8 x 2 1/8-Inch Screws
- 8 x Hex Nut
- 8 x 1/2-Inch Washer
- 2 x Terminated Speaker Wire
- 4 x 16/18 AWG. Connector Barrel
- 2 x Woofer Gasket

## S95<sup>3</sup> 6 x 9-inch 3-Way Speakers

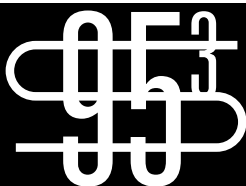
**Specifications:**

	<b>S95<sup>3</sup></b>
Nominal Size	6 x 9"
RMS Power Handling	45w
Peak Power Handling	140w
Frequency Response ( $\pm 3$ dB)	40-20kHz
Impedance	4 $\Omega$
Sensitivity (1w/1M)	92dB

**Boston Acoustics, Inc.** 300 Jubilee Drive Peabody, Massachusetts 01960 U.S.A. [bostonacoustics.com](http://bostonacoustics.com)

© 2005 Boston Acoustics, Inc. All rights reserved. Boston, Boston Acoustics, and the Boston Acoustics logo are registered trademarks of Boston Acoustics, Inc.

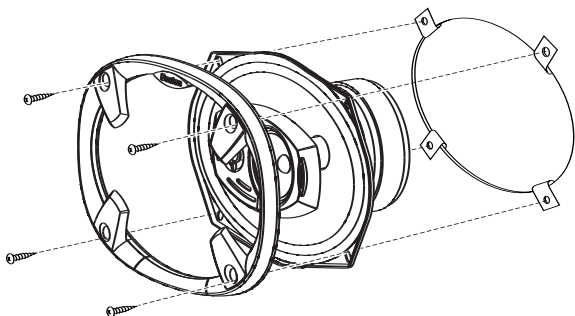
042-002327-1



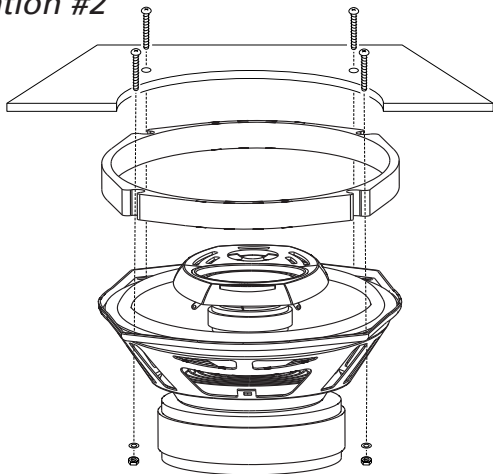
# Boston

## S95<sup>3</sup> 6 x 9-inch 3-Way Speakers

### Installation #1



### Installation #2



### Wiring

