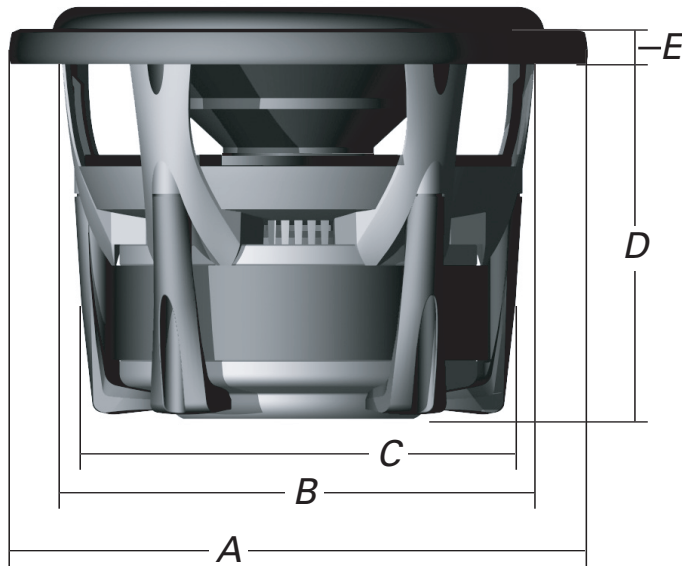


Boston

Subwoofer Size Chart



Models

- **SPG555**
- **G5**
- **G3**
- **G2**
- **G1**
- **GTR**

	A: Total Width	B: Cutout Diameter	C: Magnet Diameter	D: Mounting Depth	E: Mounting Flange
SPG555	14 1/4 x 11 7/8" 362 x 302mm	Use Cutout Template	7 1/4" 184mm	8 1/4" 210mm	13/16" 18mm
G512	12 3/4" 324mm	11 3/16" 283mm	9 1/2" 242mm	7 3/8" 187mm	11/16" 17mm
G510	10 7/8" 276mm	9 1/4" 235mm	8 1/4" 210mm	6 3/4" 171mm	11/16" 17mm
G312	12 1/2" 318mm	11 3/16" 283mm	6 1/2" 165mm	6 9/16" 166mm	5/8" 16mm
G310	10 7/8" 276mm	9 1/4" 235mm	6 1/2" 165mm	6 3/8" 161mm	5/8" 16mm
G212	12 3/4" 324mm	11 3/16" 283mm	6" 153mm	7 3/16" 182mm	3/8" 9mm
G210	10 7/8" 276mm	9 1/4" 235mm	6" 153mm	6 9/16" 166mm	3/8" 9mm
G112	12 3/4" 324mm	11 3/16" 283mm	5 1/4" 133mm	5" 127mm	3/8" 9mm
G110	10 7/8" 276mm	9 1/4" 235mm	5 1/4" 133mm	4 3/4" 121mm	3/8" 9mm
G108	8 11/16" 220mm	7" 178mm	5 1/4" 133mm	4 1/4" 107mm	3/8" 9mm
GTR12	12 3/4" 324mm	11 3/16" 283mm	N/A	3" * 74mm	11/16" 17mm
GTR10	10 7/8" 276mm	9 1/4" 235mm	N/A	3" * 74mm	11/16" 17mm

*Includes necessary clearance behind GTR