

The Boston Acoustics VRiSub85 in an in-ceiling subwoofer system. One or two systems, each comprised of a pair of woofers, can be installed in conjunction with a single Boston SA1 subwoofer amplifier. In all instances, the speakers must be wired in series. Please consult the VRiSub85 manual for complete installation and placement instructions.

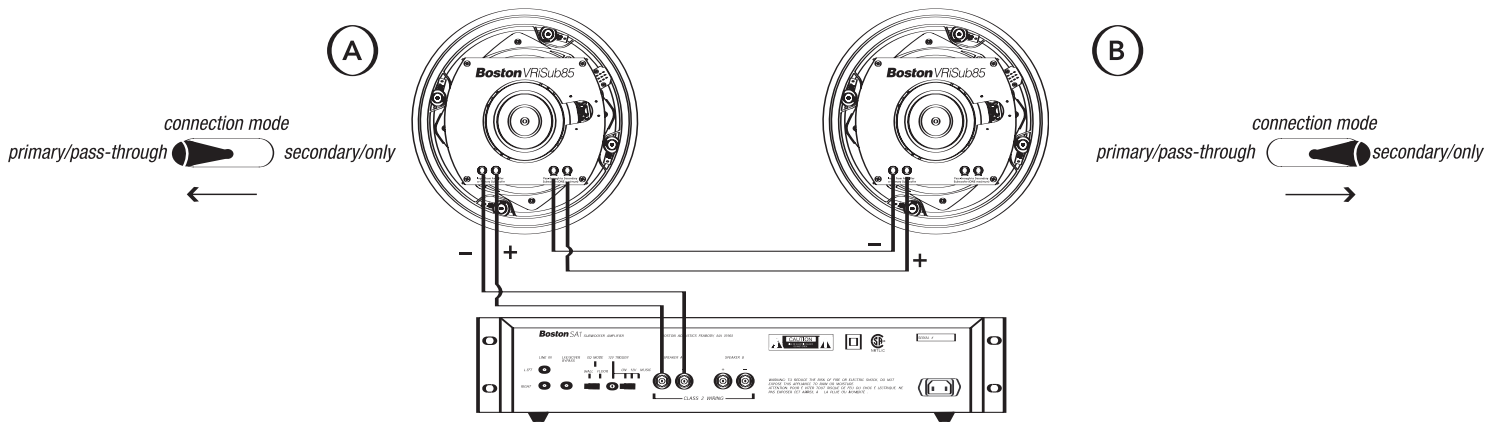
Single System Installations

Wiring Diagram #1

One pair (system) of VRiSub85 woofers connected to an SA1 using the primary woofer and secondary woofer wiring.

- A: Woofer one; set switch to "primary/pass through"
- B: Woofer two; set switch to "secondary/only"

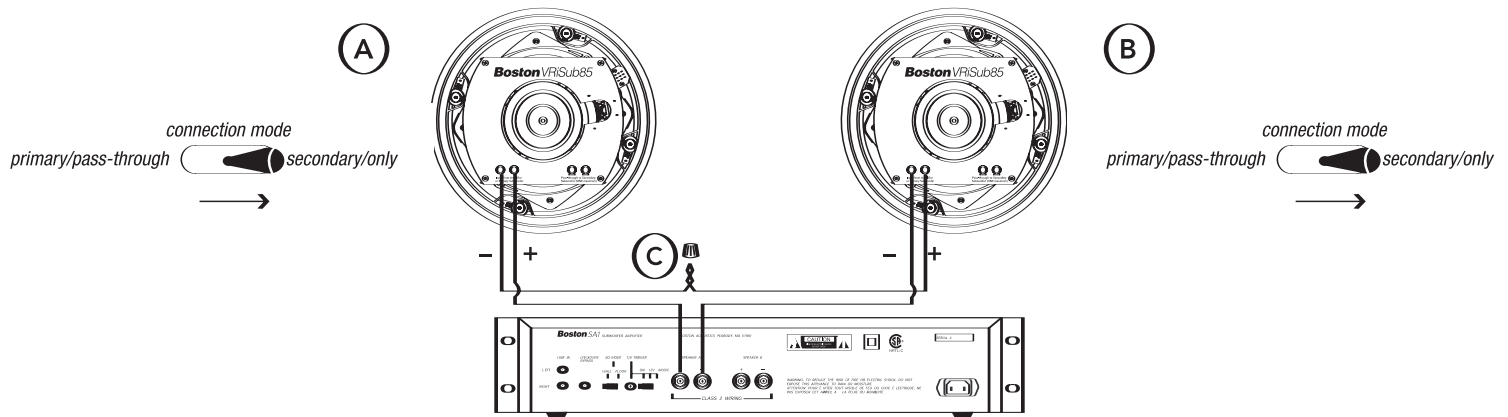
Note: Run a wire between woofer one and woofer two during installation.



Wiring Diagram #2

One pair (system) of VRiSub85 woofers connected to an SA1 with wiring from each speaker to the SA1. Connect the negative from the first woofer to the positive of the second woofer with a wire nut, or solder and heat shrink the bare wire.

- A: Woofer one; set switch to "secondary/only"
- B: Woofer two; set switch to "secondary/only"
- C: Wire Nut/Solder connection



Dual System Installations

For wiring two pairs (systems) of VRiSub85 woofers to a single SA1 amplifier, wire each pair to one set of speaker terminals using either Diagram #1 or #2.